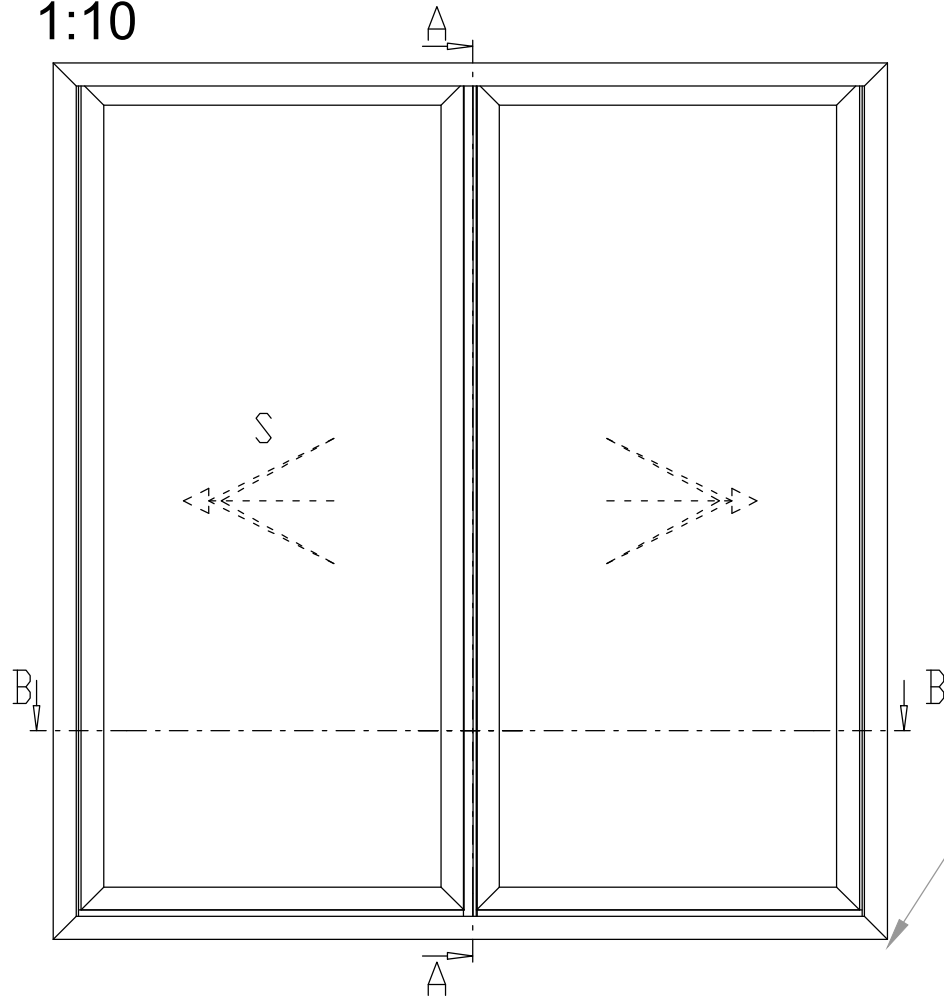
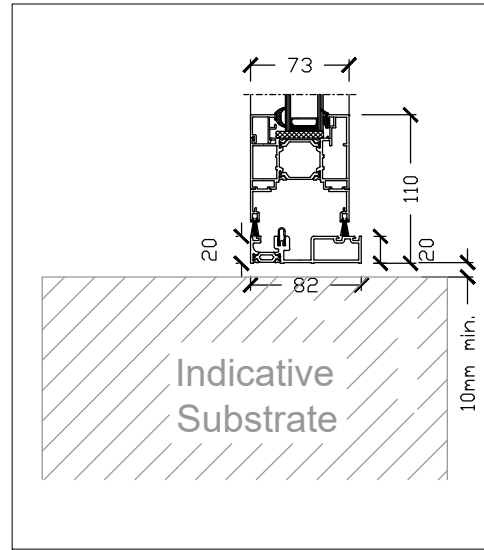


ODC121 - Double Door
1:10

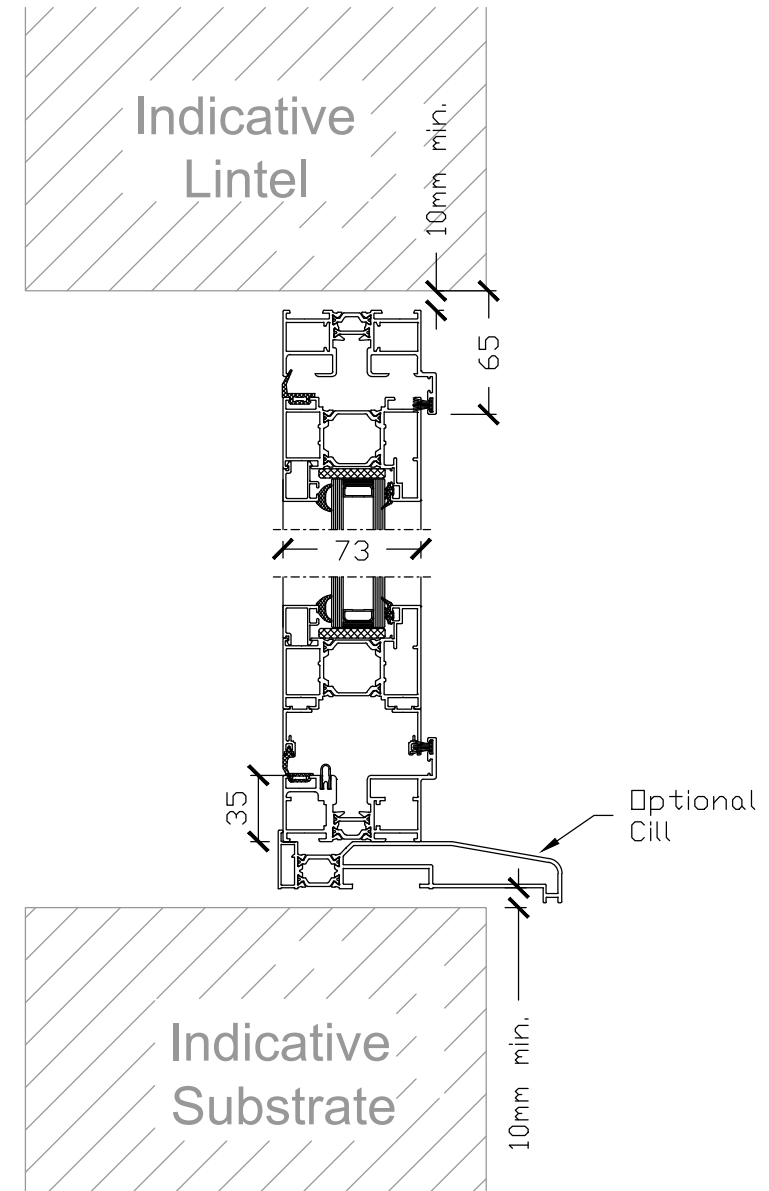


Low Threshold Option
1:4

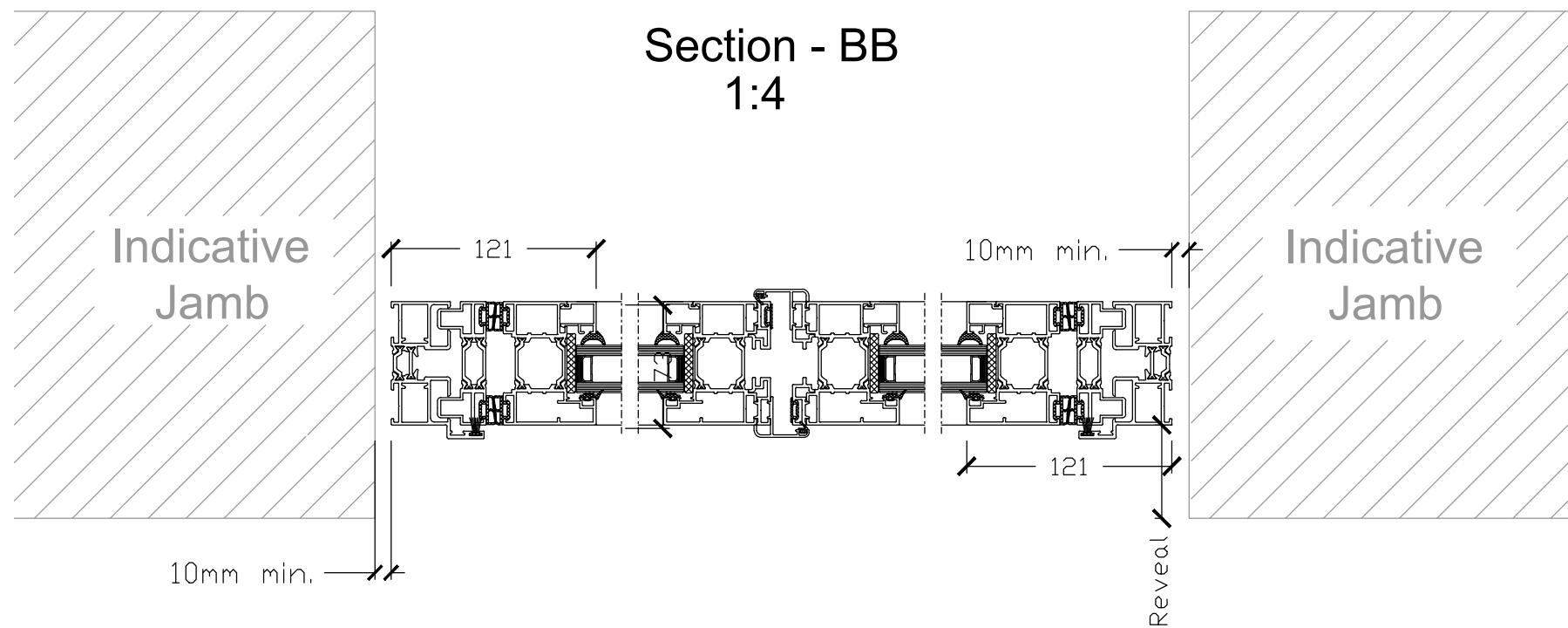


- Cill Options:**
90mm
150mm
180mm
220mm

Section - AA
1:4



Section - BB
1:4



ODC121
DOUBLE DOOR

ODC Standard Products
© All Rights Reserved

Drawing:
ODC121 - Double Door
Open In

Date: 21/09/23
Scale: 1:10 / 1:4 @ A3

Drawing No:
ODC-SP-121-SD



ODC Door Glass Systems Ltd
www.odcglass.co.uk